

Sample Boards 2009

LAST UPDATED: 22-03-2021

DEMO

Sample Boards

- 09-002 Sample board Goosens.....3
- 09-008 Sample Board Esparza4
- 09-011 Sample Board Reimer.....5
 - 09-011-1.....5
 - 09-011-2.....6
- 09-012 Sample Boards Nadj-Perge7
 - 09-012-1.....7
 - 09-012-2.....8
 - 09-012-3.....9

09-002 Sample board Goosens

Connector:

2x FFC35 Right Angle

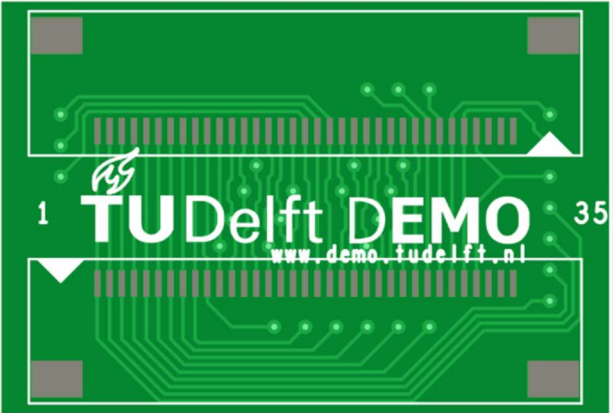
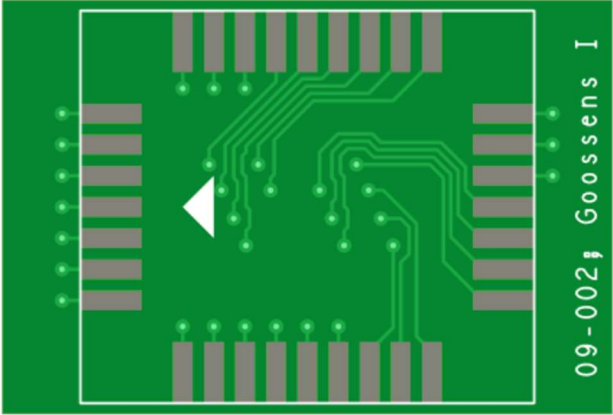
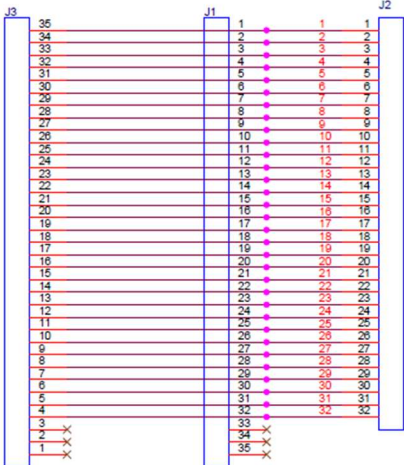
Copper Finish:

Chemisch Ni/Au Selectief

Size (LxWxT):

17 x 25 x 1.55

Schematic:



09-008 Sample Board Esparza

Connector:

- 2x SMA Launches
- 2x SMA Right Angle
- 1x FFC35 Right Angle

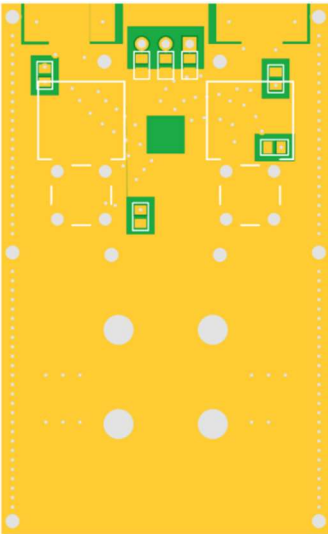
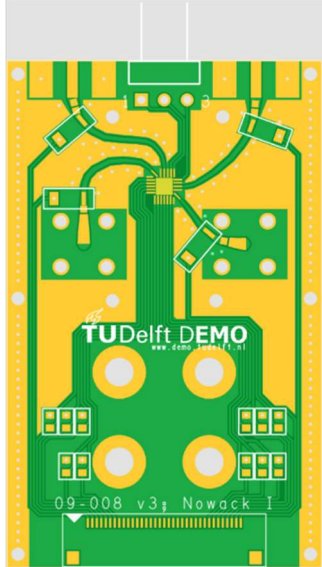
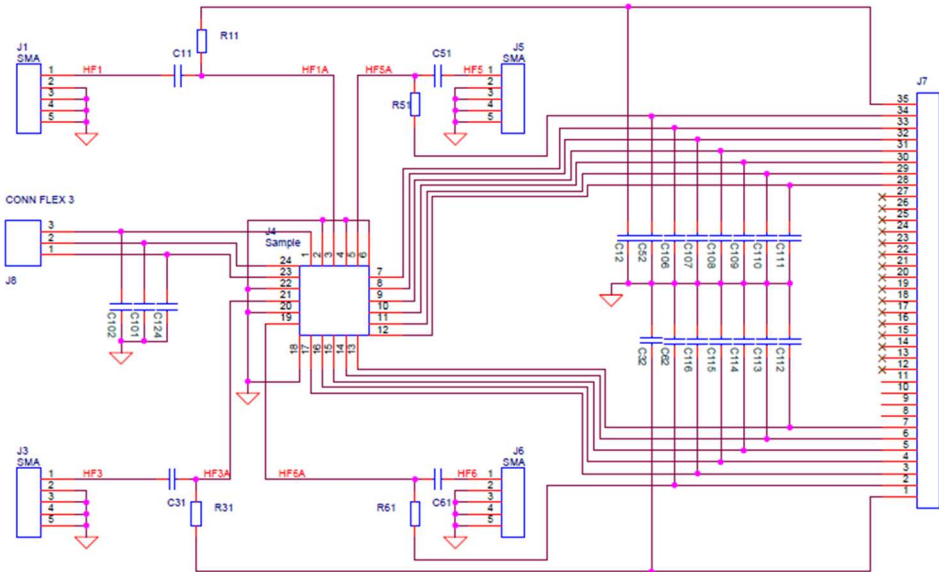
Copper Finish:

Chemisch Ni/Au Selectief

Size (LxWxT):

35 x 56.5 x 1.55

Schematic:



09-011 Sample Board Reimer

09-011-1

Connector:

2x FFC10 Right Angle

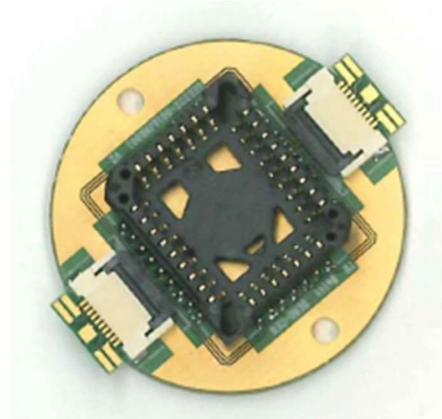
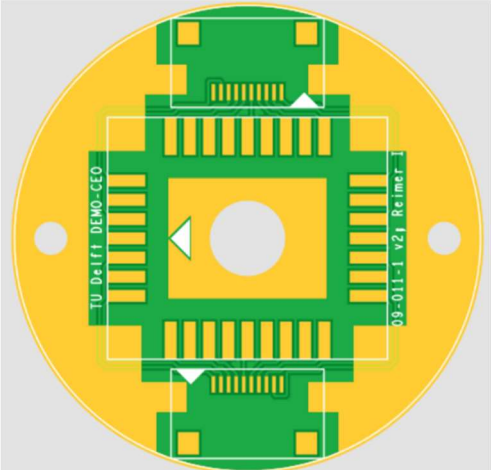
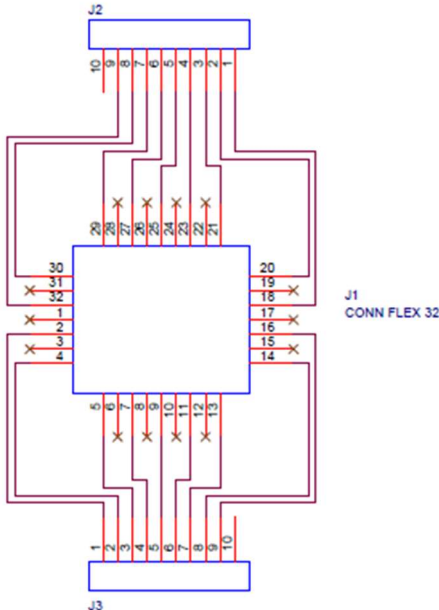
Copper Finish:

Chemisch Ni/Au Selectief

Size (LxWxT):

30.8 x 30.8 x 1.55

Schematic:



09-011-2

Connector:

Aansluiting voor 09-011-1

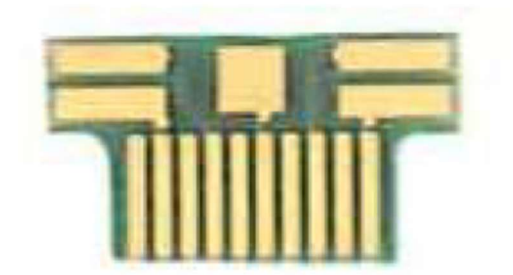
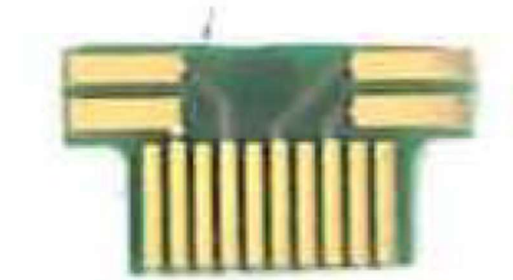
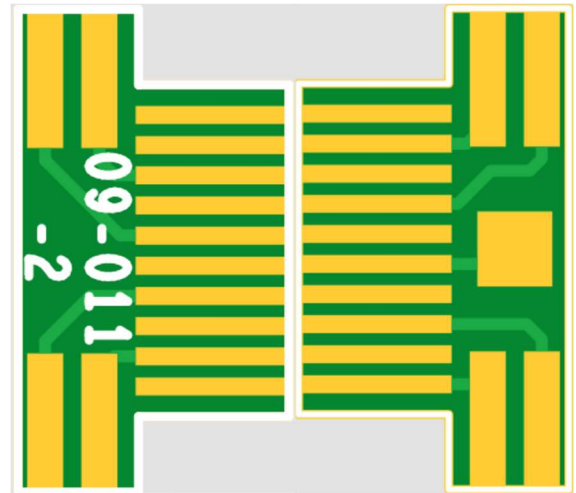
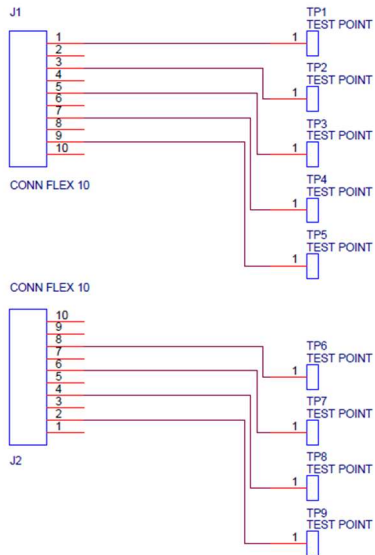
Copper Finish:

Chemisch Ni/Au Selectief

Size (LxWxT):

8 x 5 x 0.2

Schematic:



09-012 Sample Boards Nadj-Perge

09-012-1

Connector:

1x FFC35

1x 1x16 pin 2.54mm Harwin Header

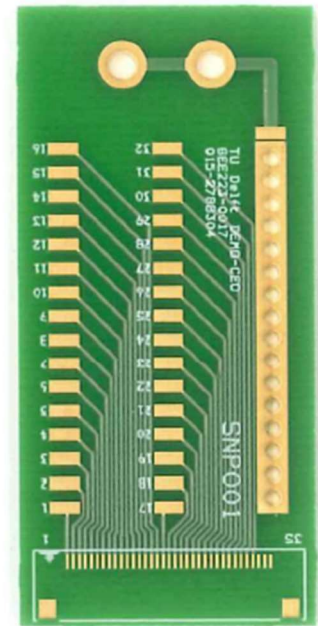
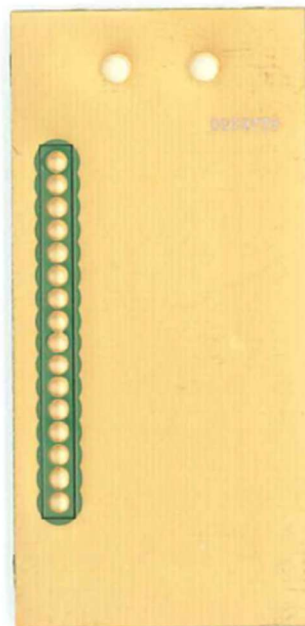
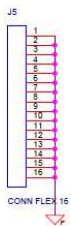
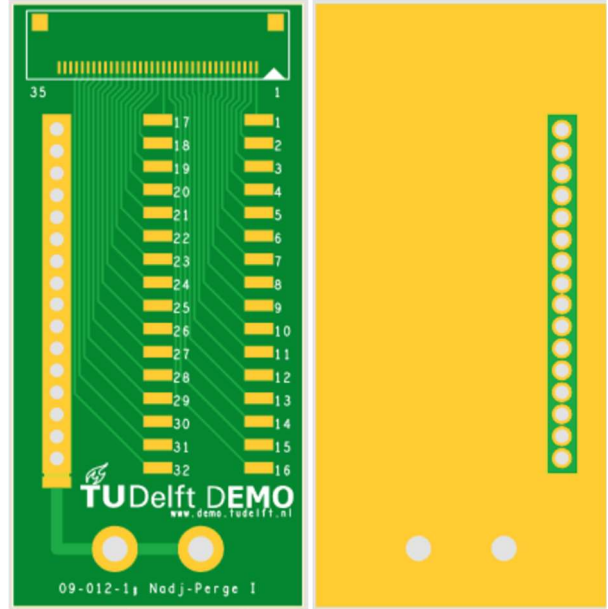
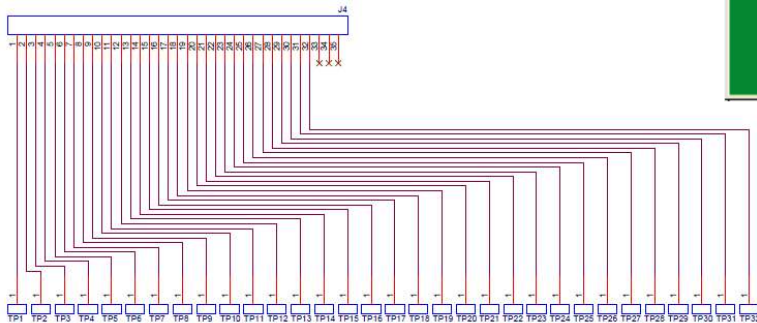
Copper Finish:

Chemisch Ni/Au Selectief

Size (LxWxT):

52 x 25 x 1.55

Schematic:



09-012-2

Connector:

1x FFC35 Right Angle

1x 1x24 2.54mm Harwin Header

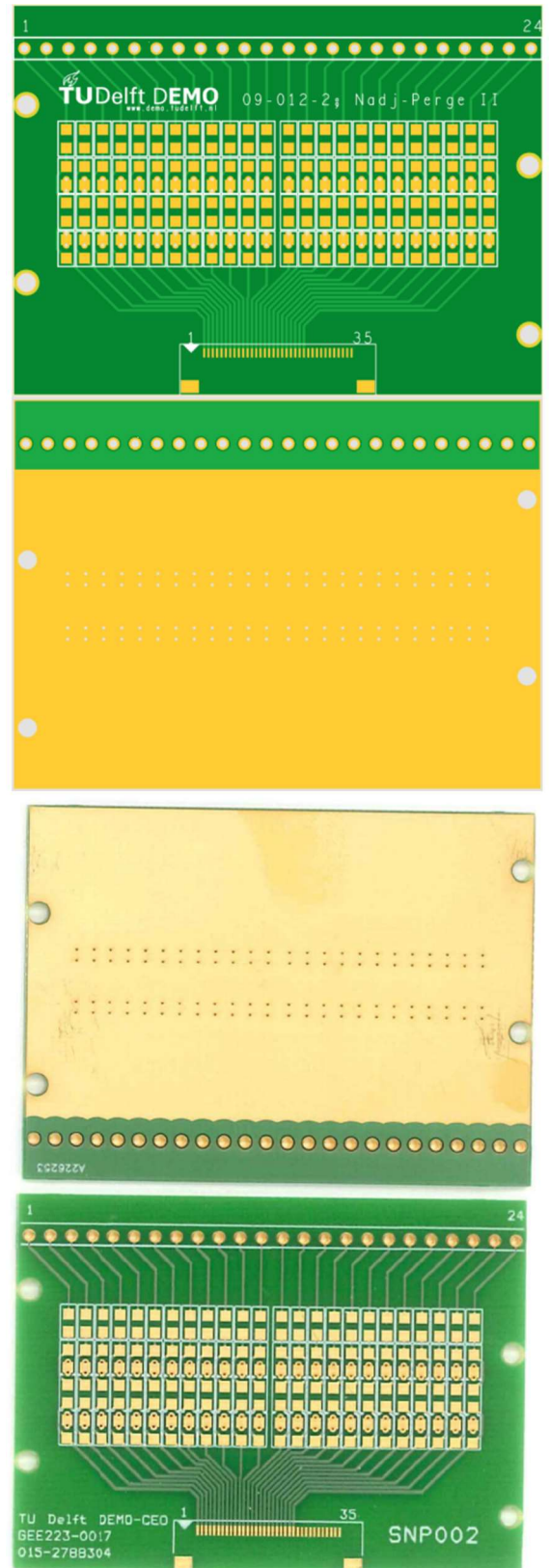
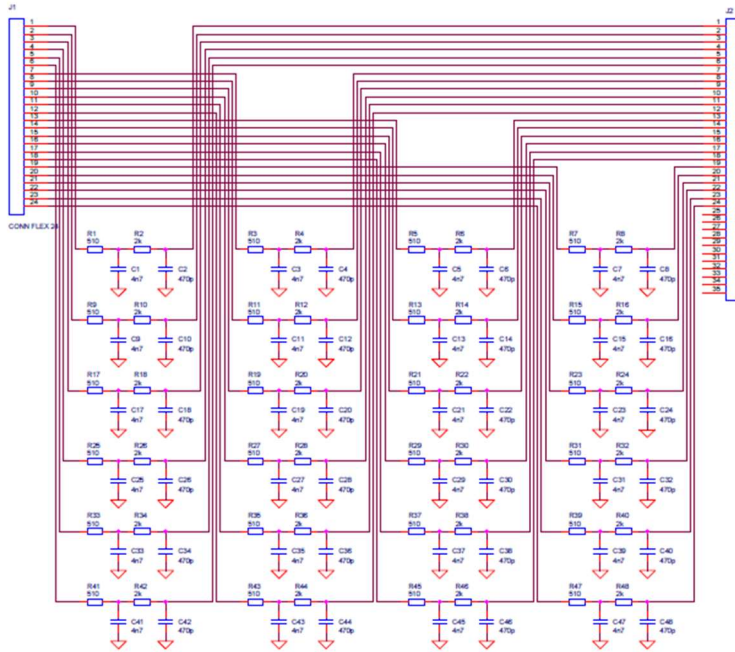
Copper Finish:

Chemisch Ni/Au Selectief

Size (LxWxT):

45 x 61 x 1.55

Schematic:



09-012-3

Connector:

1x FFC35 Right Angle

Copper Finish:

Chemisch Ni/Au Selectief

Size (LxWxT):

15 x 30 x 1.55

Schematic:

